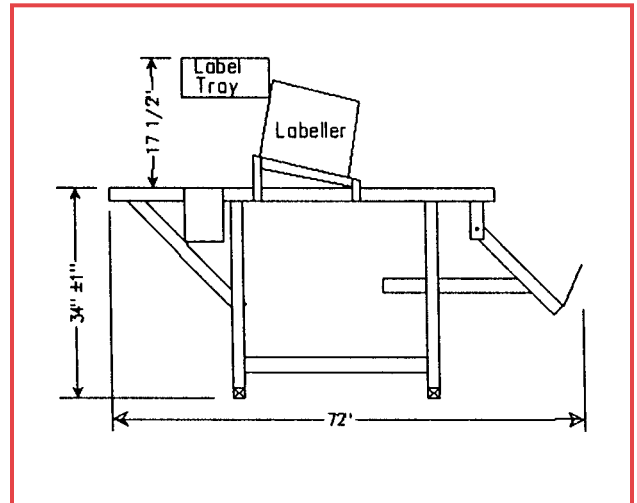


# Model LS-285 Automatic Labeling Machine

- Automatic Labeler Capable of Speeds **Up to 5,000 Per Hour**
- Easy 3 Step Set Up
- Will Use Various Sizes Of Labels
- Will Label Quarter-Folds, Tabs, Half-Folds And Flat Corrugated Boxes
- Freestanding Unit With Leveling Pads
- Unit Includes Output Receiving Tray
- OPTIONS AVAILABLE
  - Automatic Vacuum Feeder
  - Automatic Zip Code Sorter
  - Feed Table



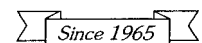
## Specifications Model LS-285

|                         |   |
|-------------------------|---|
| Speed                   | Dependent On Operator Ability<br>Speeds Up To 5,000 Pieces/Hour |
| Dimensions              | 72" L X 25" W X 33-35" H  |
| Product Sizes           | Minimum 4" W X 6" L<br>Maximum 17" W X Infinite Length          |
| Product Thickness       | Single Sheet to 100 Pages                                       |
| Electrical Requirements | 110 Volt, 60 HZ, 15 Amps<br>Single Phase With Proper Ground     |
| Label Sizes             | Will Run Most Pressure Sensitive<br>Pinfed Label Stock          |

\*Specifications subject to change without notice.

Distributed By:

**MILLER / BEVCO**



Kansas City  
1-800-821-2177  
FAX: 816-561-8595